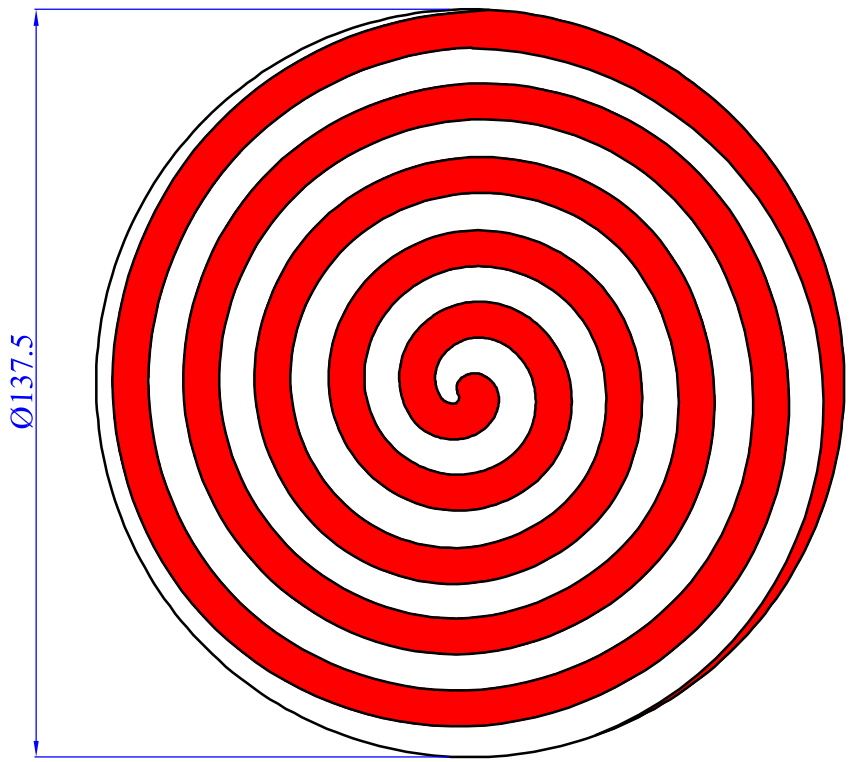
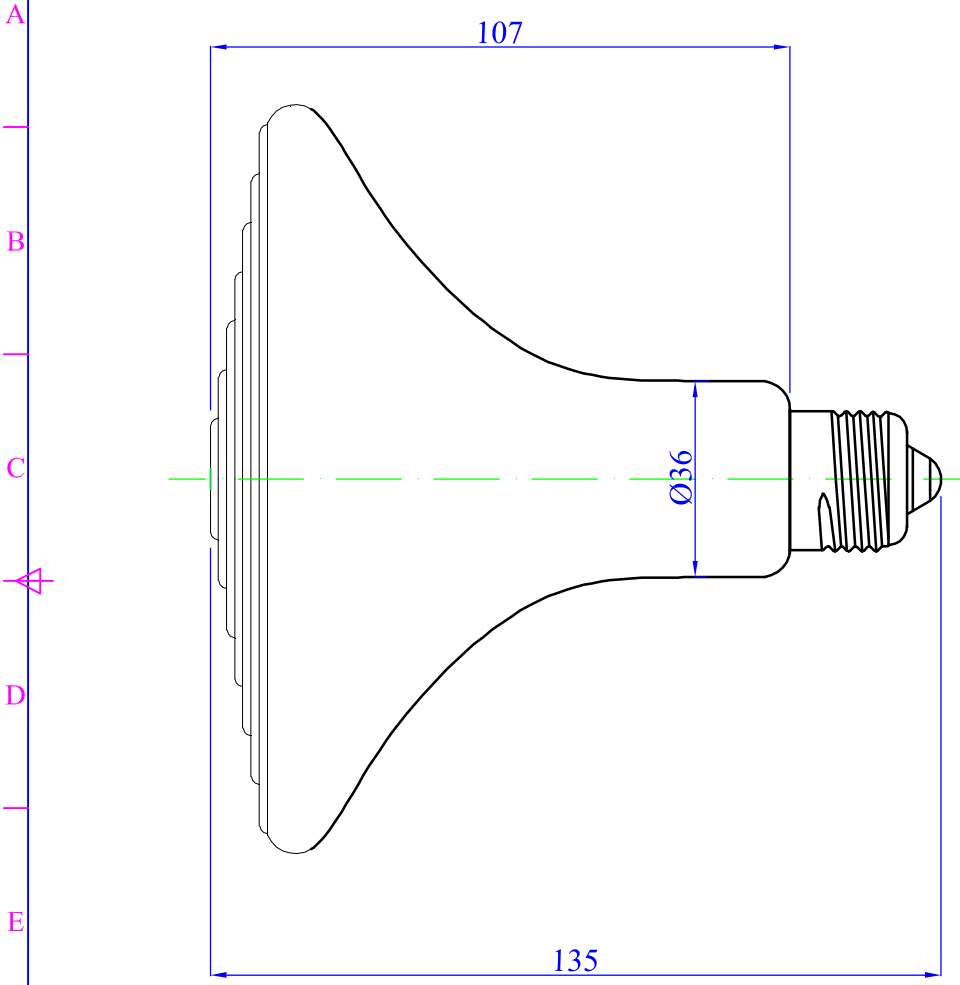




RevNo	Revision note	Date	Signature	Checked
0	No Revisions	xx-xx-xx	M.M.	



 Coil path

Note.
* All dimensions are in mm

Ref -	Qty -	ESEXL designed in 2007			Part no. *****	
Drawn by M.M.	Checked by	Tolerance +/- 3%	Filename ESEB240907MC	Date 24-09-2007	Scale Not to scale	
			Title Edison Screw Element Ex. Large			
			Drawing no. 240907MC		Edition 1	Sheet A4