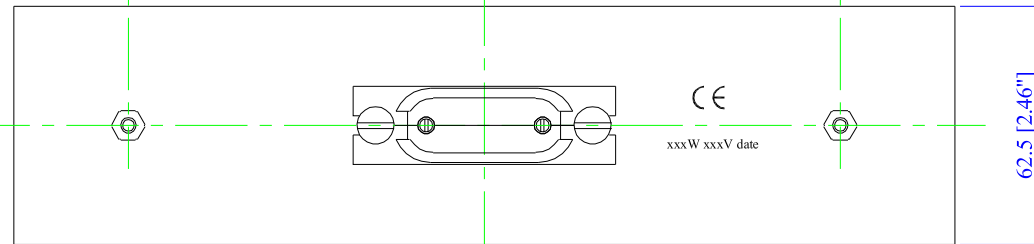
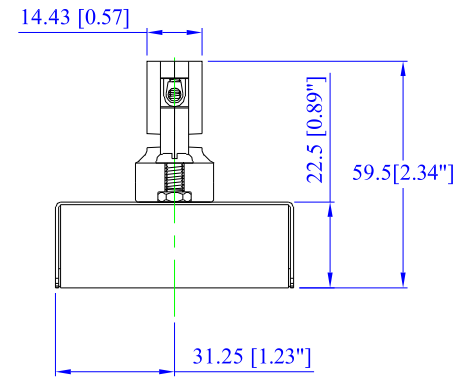
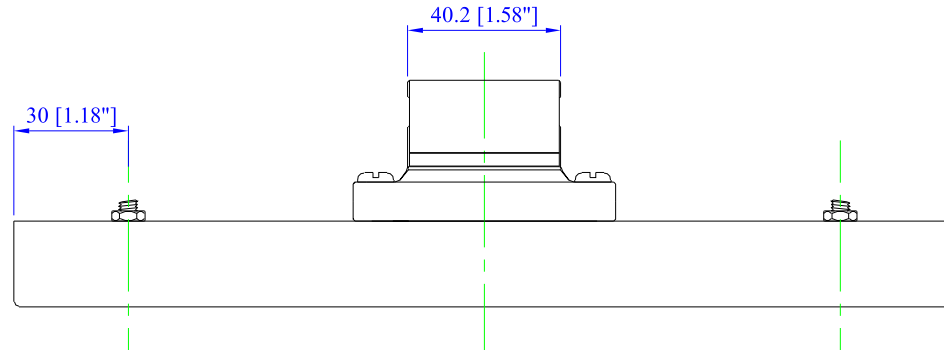
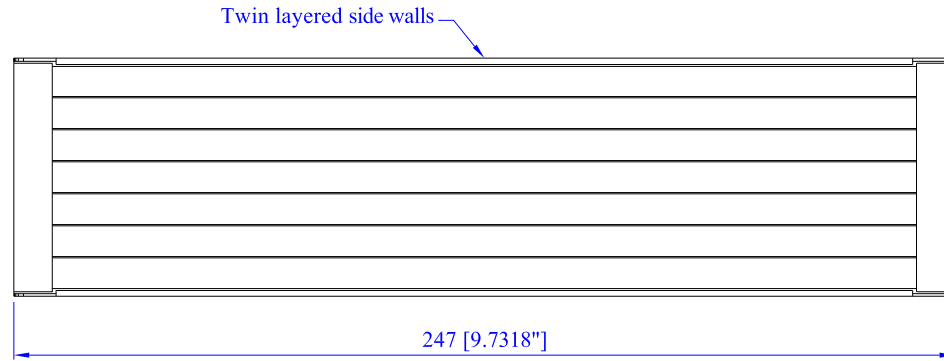


RevNo	Revision note	Date	Signature	Checked
2	New pillar design incorporated	23-04-02	J.W.	



Note.  
\* All dimensions are mm[inches]

Ref -	Qty -	Standard assembled Pillared Full Quartz Element			Part no. PFQE0000000	
Drawn by J.W.	Checked by	Tolerance +/- 0.5	Filename PFQE	Date 10/01/01	Scale Not to scale	
			Title <b>Pillared Full Quartz Element</b>			
			Drawing no. 100101A		Edition 1	Sheet 1