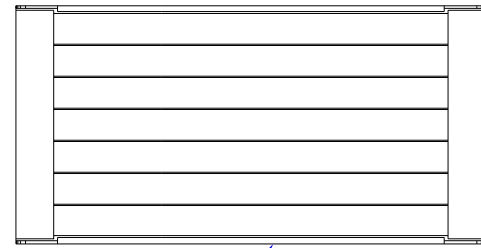
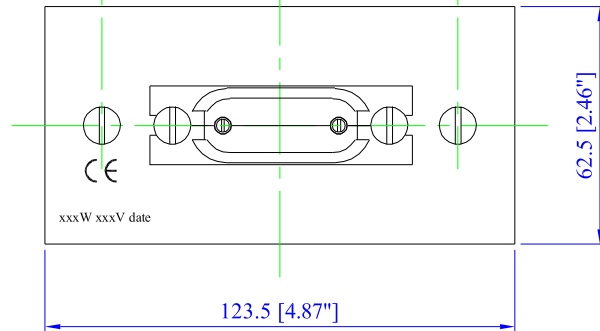
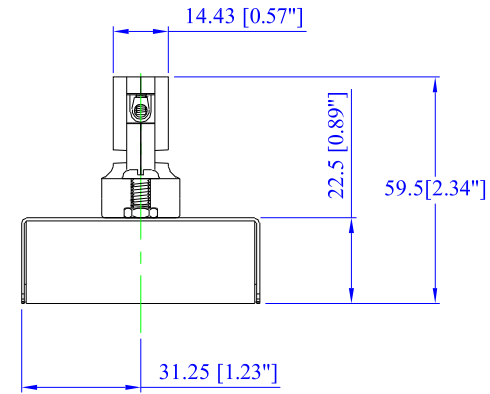
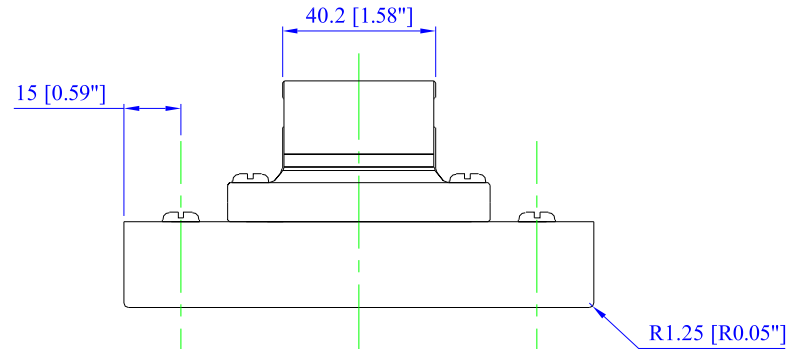


RevNo	Revision note	Date	Signature	Checked
0	No revisions	xx-xx-xx	J.W.	



Twin layered side walls



Note.
* All dimensions are mm

Ref -	Qty -	Standard assembled Pillared Half Quartz Element			Part no. -----
Drawn by J.W.	Checked by	Tolerance +/- 0.5	Filename PHQE	Date 05-02-03	Scale Not to scale
			Title Pillared Half Quartz Element		
			Drawing no. 050203L		Edition 1