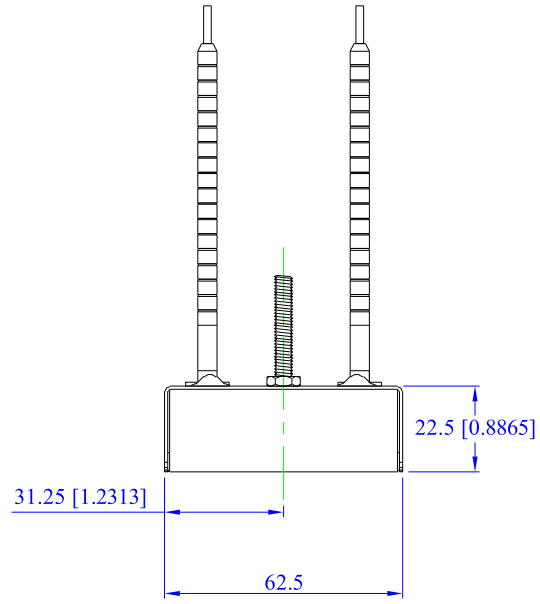
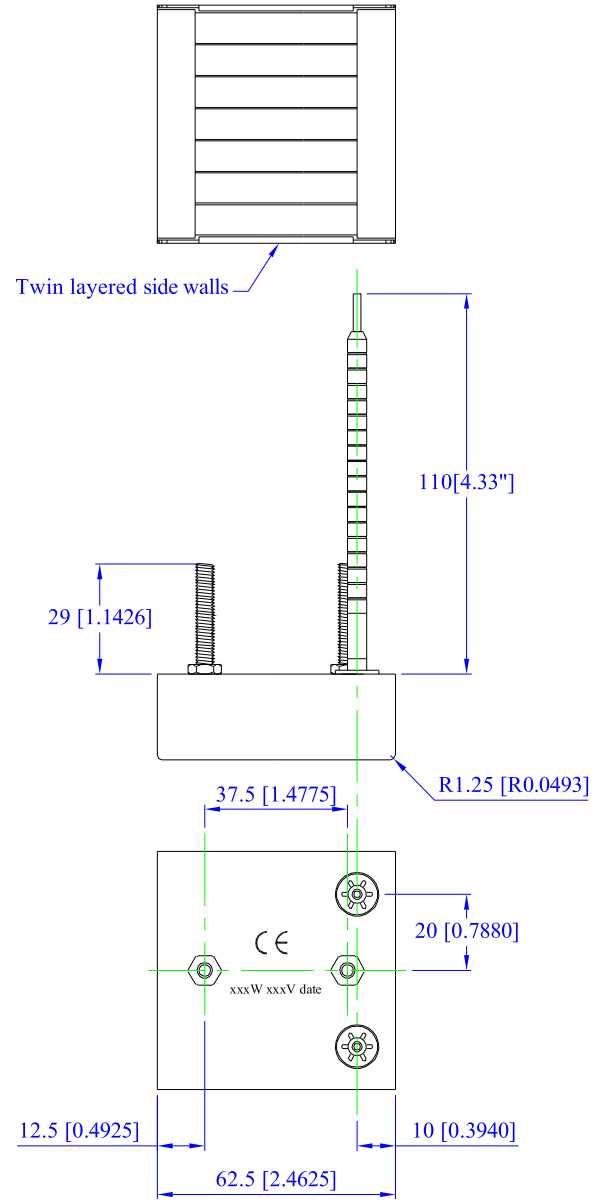



RevNo	Revision note	Date	Signature	Checked
1	Comers radiused and twin side walls introduced	24/08/01	J.W.	



Note.  
\* All dimensions are mm

Ref -	Qty -	Standard assembled Quarter Quartz Element			Part no. QQE000000	
Drawn by J.W.	Checked by	Tolerance +/- 0.5	Filename QQE	Date 06/02/01	Scale Not to scale	
			Title Quarter Quartz Element			
			Drawing no. 060201E		Edition 1	Sheet 1